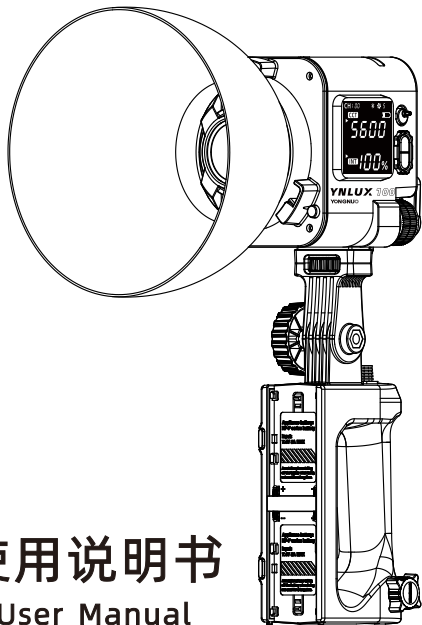


YONGNUO

YNLUX100

摄像灯
Pro LED Video Light



使用说明书

User Manual

前言

感谢您使用YNLUX100摄像灯，在使用产品前，请认真阅读使用说明书。

注意事项

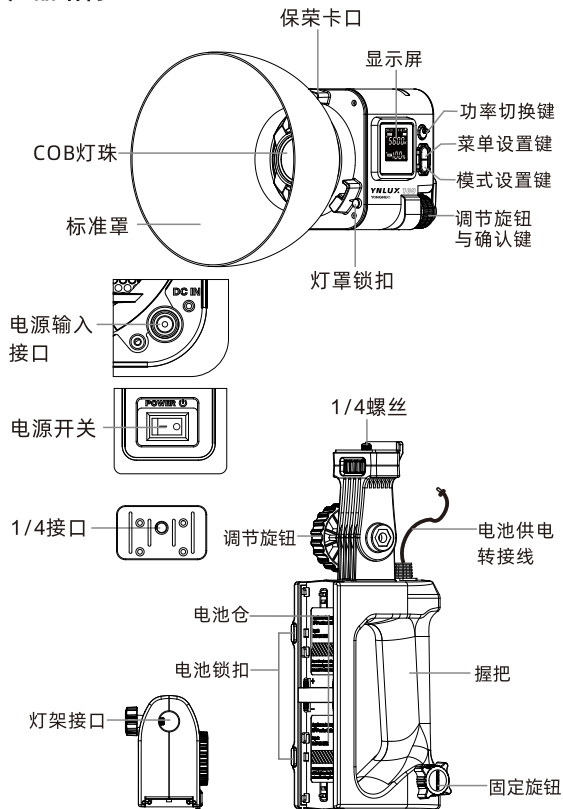
- 严禁将产品靠近或者投入火源，以避免发生火灾及爆炸等危险。
- 请勿私自拆卸产品，如产品出现故障须本公司或授权维修人员处理。
- 本产品运行时，请勿直视COB灯珠，勿遮挡散热孔，勿触摸COB灯珠；设备运行时，请勿直视光线。
- 请勿在易燃易爆和暴露雨中中使用。
- 当摄像灯出现高温报警时，请检查风扇是否出现故障。

产品规格

光源	1颗COB灯珠		
色温	双色版本：3200K-5600K；单色版本：5600K		
输出功率	LED：100瓦		
照度 (含标准罩)	距离	1米	
	单色	11326Lux	
	双色4000K	12188Lux	
外接电池	两个NP-F系列电池（需另购）		
外接电源	DC 19V5A		
包装尺寸	43*22*32CM	摄像灯尺寸	12*12*12.5CM
遥控距离	小于15米		
平均寿命	50000小时		
光照角度	110°		
所含物品：摄像灯（1）、电源适配器（1）、标准罩（1）、手持支架（1）、便携箱（1）。			
注：如有缺失请与经销商联系。			

* 屏幕显示的温度为COB工作温度。

产品结构

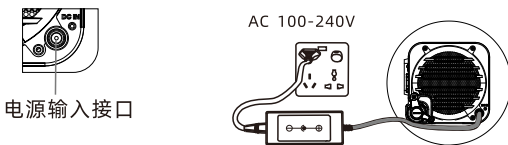


-2-

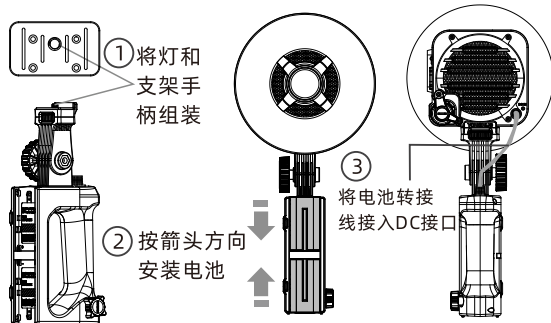
安装与使用

1、供电使用。

1) 使用两个配置电源适配器供电。

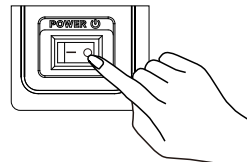


2) 使用电池供电。



2、开机与关机。

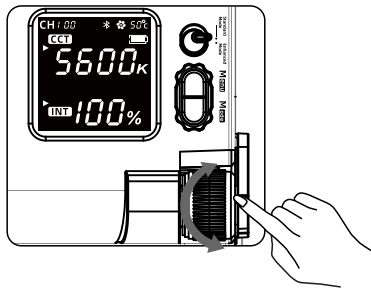
按下开关机键进行开关机。



-3-

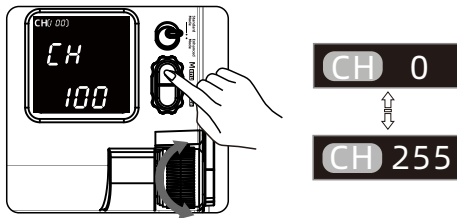
3、色温与亮度调节。

按下开机键摄像灯点亮，按下旋钮切换色温与亮度调节选项，旋转旋钮调节参数。



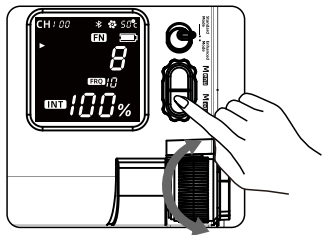
4、切换频道。

按下<Menu>按钮旋转确认键选择频道[CH]菜单，按下确认键旋转旋钮调节到您所需要的频道；按下确认键完成切换。（注：CH1-CH8频道兼容永诺早期摄像灯产品，建议使用CH9以上频道，将获得更顺畅的控制体验。）



5、特效模式。

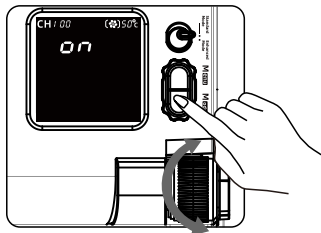
按下<Mode>按钮进入特效模式，按确认键切换特效模式、速度、亮度选项，旋转调节参数。再次按下<Mode>切换到色温模式。（注：单色版本9种特效模式）



6、设置风扇开关。

按下< Menu >按钮，旋转旋钮选择风扇图标，按下确认键选择开关。ON：风扇开启时功率达到100瓦。

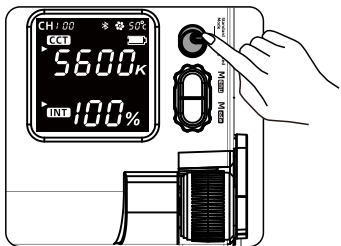
OFF:风扇关闭时功率降低。



7、功率切换键。

拨动开关可以相互切换标准模式或性能模式运行。

	DC供电	电池供电
标准模式	60W	30W
性能模式	100W	60W



8、手机APP与遥控器的使用。

1) .按下<Menu>按钮旋转调节旋钮选择蓝牙<📶>,按下确认键开启蓝牙；此时打开手机APP就可以自动连接摄像灯实现无线控制。

2) .2.4G无线控制模式可选择开启或关闭。

3) .APP可以从永诺官网下载或通过扫描彩盒二维码点击下载。（注：遥控器需另购）



蓝牙 OFF



蓝牙 ON



2.4G OFF



2.4G ON

本手册中的功能是根据本公司的测试条件获得，设计和规格如有变更，恕不另行通知。

深圳市永诺摄影器材股份有限公司

地址：深圳市坪山区坑梓街道深福保现代光学厂区A座

电话：（86）0755-83762448

传真：（86）0755-83762765

网址：www.hkyongnuo.com

生产地址：深圳市坪山新区坑梓街道锦绣中路14号

深福保现代光学厂区A栋厂房

售后电话：400-001-3888

Introduction

Thank you for using YNLUX100 LED video light. Please read the manual carefully before you use it.

Precautions

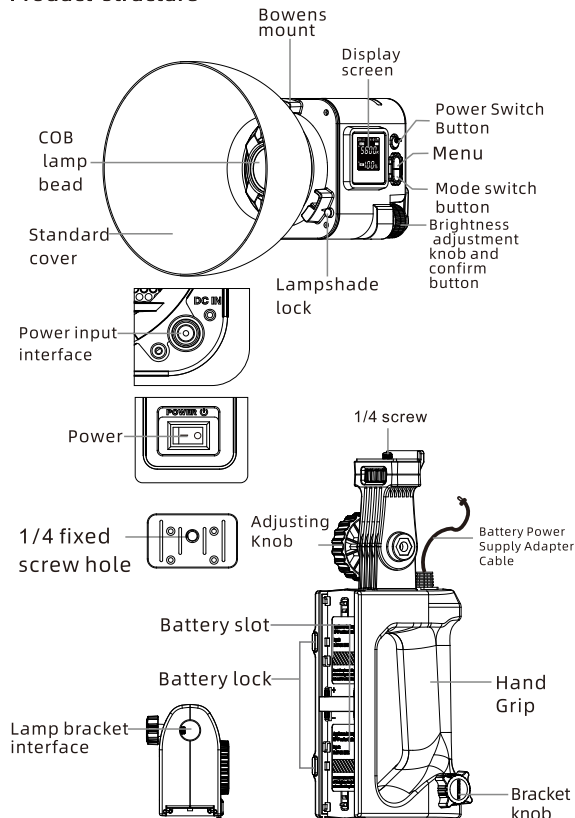
- Do not put the product close to or throw it into the fire source to avoid the danger of fire and explosion.
- Do not disassemble the product, maintenance or repair of this product should be handled by technical maintenance personal of our company or authorized technical maintenance personal .
- When the product is running, please do not look directly at the COB lamp beads, do not cover the heat emission hole, and do not touch the COB lamp beads; When the device is running, do not look directly at the light.
- Do not use this product in flammable and explosive place, or where it can be exposed to moisture.

Product specification

Color temperature version	One COB lamp bead		
Light Source	Bi-color: 3200k-5600k; White: 5600k		
Output power	LED: 100W		
100% illumination (standard cover)	Distance	1M	
	White	11326Lux	
	Bi-color 4000K	12188Lux	
Compatible batteries	Two NP-F series batteries (Need to be purchased separately.)		
External power source	DC 19V5A		
Package Dimensions	43*22*32CM	Product Net Size	12*12*12.5 CM
Control distance	<15M		
Average Service Life	50000H		
Luminance Angle	110°		
Contents:	Video light (1) ,Power adapter (1), standard cover (1), Handheld Holder (1) 、Protatable (1) .		
Note:	Please contact your dealer if anything missing.		

*The temperature displayed on the screen is the COB working temperature.

Product structure



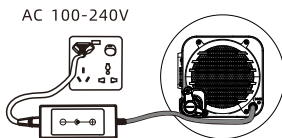
Installation and use

1.The power supply to use.

1) Use equipped power adapters for power supply.



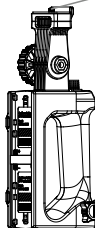
Power input interface



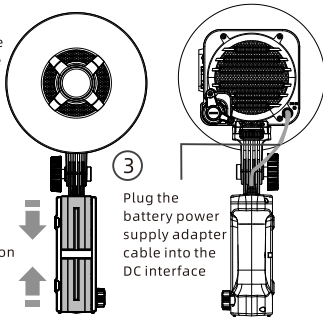
2) Uses battery for power supply.



① Assemble the lamp and the handheld holder



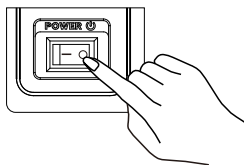
② Install the battery according to the direction as the arrow indicated



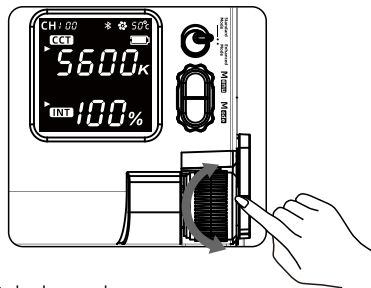
③ Plug the battery power supply adapter cable into the DC interface

2.Power ON or OFF

Press the power switch to power on or off the LED light.

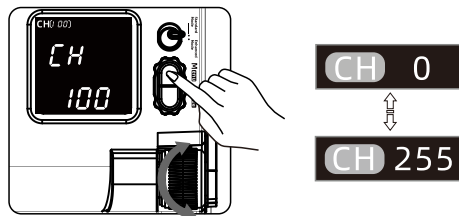


3.Color temperature and brightness adjustment
Press the power button to turn on the light, and press the knob to switch the color temperature and brightness options, rotate the knob to adjust the parameters.



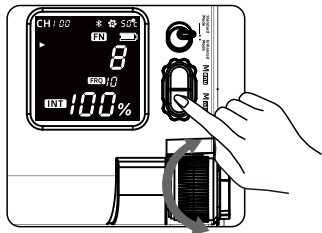
4.Switch channels

Press the button <Menu> and toggle the confirm button to select the channel [CH] menu, then turn the knob to adjust the channel you want; press OK to complete the switch. (Note: The product provides 256 channels.)



5. Special effect mode

Press <Mode> button to enter special effect mode, press confirm button to switch the special effect mode, speed and brightness options, turn the knob to adjust the parameter. Press <Mode> again to switch to the color temperature mode. (Note: 9 special modes for white version)

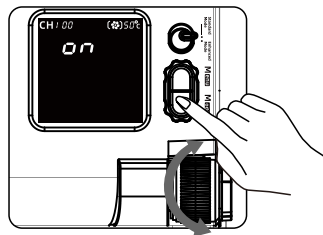


- | | | |
|---|---|---|
|  0 Simulated lightning |  4 SOS SOS |  8 The bad light bulb |
|  1 Film screen reflection |  5 White breathing light |  9 Sunrise |
|  2 Paparazzi |  6 The explosion |  10 Yellow breathing light |
|  3 Strobe |  7 Fireworks |  11 Temperature cycle |

6. Fans Switch Setting

Press the <Menu> button, and then rotate the knob to select the fan icon, and press the confirm button to select the switch.

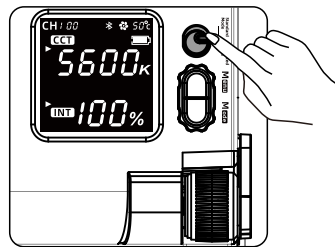
ON: The power reaches 100W when the fans turns on. OFF: The power will be lower when the fans turns off. The icon of the fans will twinkle when the brightness adjustment parameter is more than 20%.



7. Power Switch Button.

Toggle the power to switch between standard mode and performance mode.

	DC input	Battery
Standard Mode	60W	30W
Enhanced Mode	100W	60W



8. Use via mobile APP and remote control for wireless control

1). Press the menu button < * > and toggle the OK button to select bluetooth, press OK button to turn on bluetooth; open the mobile APP, at this time the video light is connected automatically to realize wireless control.

2). 2.4G wireless control mode can be selected to turn on or off.

3) The APP can be downloaded from the YONGNUO official website or scanning the QR code on the gift box.



Bluetooth
OFF



Bluetooth
ON



2.4G OFF



2.4G ON

The functions in this manual are based on the test conditions our company. Further notice will not be given if the design and specifications change.